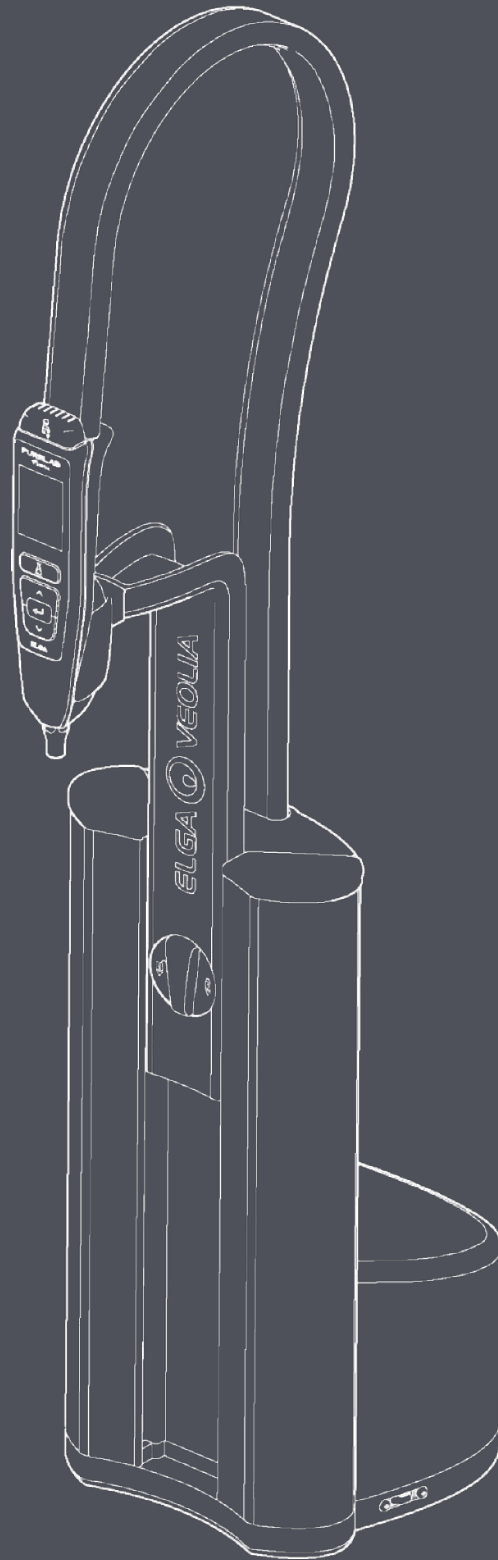


PURELAB FLEX OPERATOR MANUAL



MANU41741

Version 1

Copyright Note

The information contained in this document is the property of VWS (UK) Ltd, trading as ELGA LabWater, and is supplied without liability for errors or omissions.

No part of this document may be reproduced or used except as authorised by contract or other written permission from VWS (UK) Ltd. The copyright and all restrictions on reproduction and use apply to all media in which this information may be placed.

VWS (UK) Ltd. pursue a policy of continual product improvement and reserve the right to alter without notice the specification, design, price or conditions of supply of any product or service.

© VWS (UK) Ltd. 2024 - All rights reserved.

Publication ref: MANU41741
Version 1 - 01/24

ELGA® is the global laboratory water brand name of Veolia Water.
ELGA® and **PURELAB®** are registered trademarks

Table of Contents

1. INTRODUCTION	5
1.1 Health & Safety	5
1.2 Product Range	5
1.3 Use of this Manual	5
1.4 Environment	5
1.5 Commissioning	5
1.6 Volumetric Accuracy	5
1.7 Profile Dispense Accuracy	5
1.8 ECO Mode	5
2. YOUR GUIDE TO THE PURELAB® FLEX 1 & 2	6
3. HEALTH AND SAFETY NOTES	7
3.1 Environment	7
3.2 Display Handset	7
3.3 Electricity	7
3.4 Ultraviolet Light	7
4. INSTALLATION INSTRUCTIONS	8
5. HOW TO USE YOUR FLEX 1 & 2	9
6. CONSUMABLES	12
7. HOW TO REGISTER YOUR PURELAB FLEX	13
8. MAINTENANCE	14
8.1 Replacing Ultraviolet lamp (LC210)	14
8.2 Cleaning the Inlet Filter Assembly	15
8.3 Replacing the Point-Of-Use filters	16
8.4 Replacing the DI Pack	16
8.5 Sanitization	16
9. SELF HELP GUIDELINES	17
10. TECHNICAL SPECIFICATIONS	18
10.1 Feedwater	18
10.2 Contaminant	18
10.3 Feedwater Pressure	18
10.4 Dimensions and Weights	18
10.5 Connections	19
10.6 Electrical Requirements	19
10.7 Product Water Specification	19
11. USEFUL CONTACT DETAILS	20
12. WARRANTY / CONDITIONS OF SALE	21
11.1 General Limited Warranty	21
11.2 Water System Limited Warranty	21

1.1 Health & Safety

Please ensure you have read the Health & Safety notes in **Section 3, page 7** before commencing.

1.2 Product Range

This Operator's Manual has been prepared for the following **PURELAB Flex** product models:

- **PURELAB Flex 1** (Optional Purification Pack)
- **PURELAB Flex 2** (Purification Pack + UV + TOC)

1.3 Use of this Manual

This manual guides you through the basic operation of the **PURELAB Flex** allowing you to obtain a guaranteed supply of purified water to meet your requirements.

1.4 Environment

The **PURELAB Flex** unit should be installed on a flat, level surface, in a clean, dry environment. The unit can also be wall mounted against a vertical wall capable of supporting the weight, for this we recommend the use of the wall mounting kit.

1.5 Commissioning

The **PURELAB Flex** is supplied in a preset commissioning mode which has to be completed before purified water can be dispensed.

1.6 Volumetric Accuracy

The **PURELAB Flex** volumetric accuracy is +/- 10ml or 3% (whichever is greater).

If a point of use filter is attached (LC145 and LC197) the system will need to be calibrated every 10L of dispense water or every 7 days. If the point of use filter is replaced, a calibration must be performed to ensure accuracy.

1.7 Profile Dispense Accuracy

The **PURELAB Flex** profile dispense accuracy is +/- 10ml or 3% (whichever is greater).

If a point of use filter is attached (LC145 and LC197) the system will need to be re-profiled every 10L of dispense water or every 7 days. If the point of use filter is replaced, a re-profiling must be performed to ensure accuracy.

If repeated dispensing is required, the accuracy will drift dependent on the number of dispenses completed. It is recommended that after every 10 dispenses, a minimum of 5 mins is given for the unit to cool to maintain accuracy.

1.8 ECO Mode

The **PURELAB Flex** comes configured with ECO mode enabled as default, while this mode is enabled, the unit will go into ECO mode between the time set 18:00 and 09:00, allowing the unit to minimise the power and water consumption while maintaining system performance.

To disable ECO mode set the ECO mode timers to 00:00 and 00:00, this will set unit into continued operation disabling the power saving function of the system.

2. YOUR GUIDE TO PURELAB® FLEX 1 & 2





WARNING! WARNINGS ARE GIVEN WHERE FAILING TO OBSERVE THE INSTRUCTIONS COULD RESULT IN INJURY OR FATALITY!



CAUTION! Cautions are given where failure to observe the instructions could result in damage to the equipment, associated equipment and processes.



WARNING! THINK BEFORE LIFTING! CONSIDER CORRECT LIFTING TECHNIQUES TO AVOID INJURY!

3.1 Environment

The system should be installed on a flat, level surface, in a clean, dry environment.

The system is designed to operate safely under the following conditions:

- Indoor use only
- Attitude up to 2000m
- Temperature Range 5°C - 40°C
- Storage Conditions 2°C - 50°C
- Maximum Relative Humidity 80% @ 31°C decreasing linearly to 50% @ 40°C non-condensing
- The system is in installation Category II, Pollution Degree 2, as per EN 61010.
- Noise Levels - dBa - <45

3.2 Display Handset



CAUTION! The display handset is not designed to be submerged in water. The Flex is not designed for use in fume cupboards where chemicals could damage the system.

3.3 Electricity

The appliance coupler (mains lead) or power supply connected to the rear of the unit can be removed to isolate the power supply. If access to this is restricted then it is recommended that access to the supply socket is easily available to disconnect the electrical supply.



WARNING! ONLY USE THE APPLIANCE COUPLER (MAINS LEAD) AND POWER SUPPLY PROVIDED. THE USE OF THESE WILL ENSURE ADEQUATE EARTH PROTECTION IS PROVIDED. IF THE EQUIPMENT IS USED IN A MANNER NOT SPECIFIED BY ELGA, THE PROTECTION PROVIDED BY THE EQUIPMENT MAY BE IMPAIRED. POSITION THE POWER SUPPLY SO THAT IT CANNOT COME INTO CONTACT WITH WATER.

3.4 Ultraviolet Light



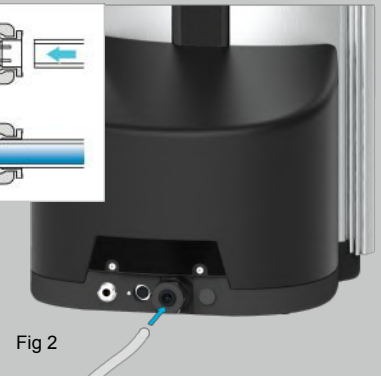
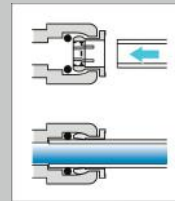
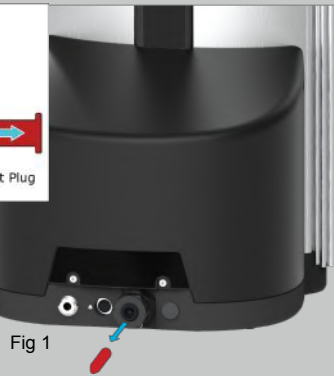
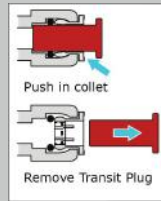
WARNING! UNDER NO CIRCUMSTANCES SHOULD THE UV LAMP BE CONNECTED AND ACTIVATED WHEN OUTSIDE THE HOUSING. EXPOSING COULD CAUSE SERIOUS INJURY TO EYES AND SKIN. ENSURE THE UV LAMP IS DISPOSED OF IN ACCORDANCE WITH LOCAL REGULATIONS.

4. INSTALLATION INSTRUCTIONS

STEP 1



Slot handset into the cradle as shown above

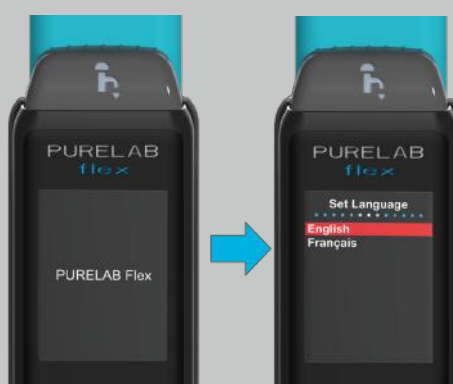
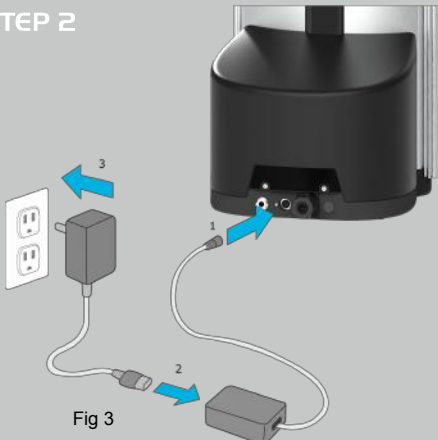


PURELAB Flex 1 & 2 use pre-treated water

Refer to Section 10, page 17 “Technical Specifications” for Feedwater Specifications

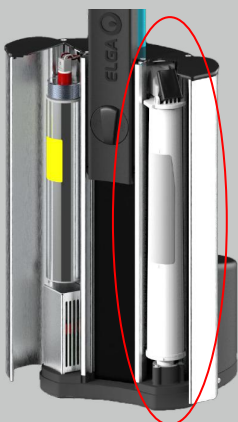
- Remove the transit plug from the water inlet connection (fig 1)
- Using the tube supplied, firmly push one end securely into the water connector (fig 2)

STEP 2



- Connect the power cable as shown (fig 3)
- Only use the power supply supplied with the PURELAB Flex. The power supply must be earthed.
- Turn on the power supply, the screen will display the “Set Language” screen (fig 4)
- Scroll to your preferred language (fig 5) and accept (fig 6)

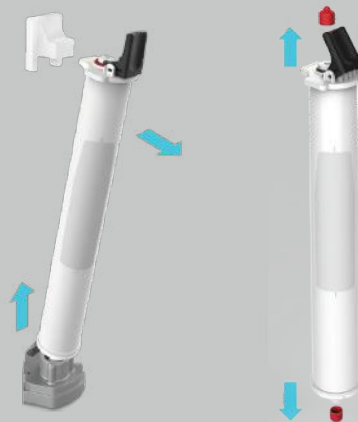
STEP 3



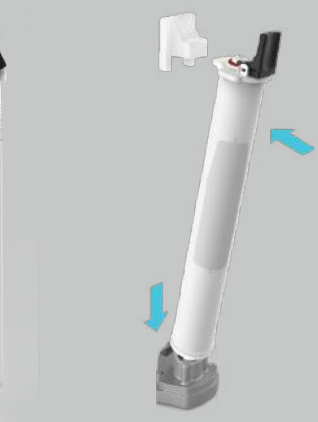
a) Open right-hand door



b) Remove Bypass Pack

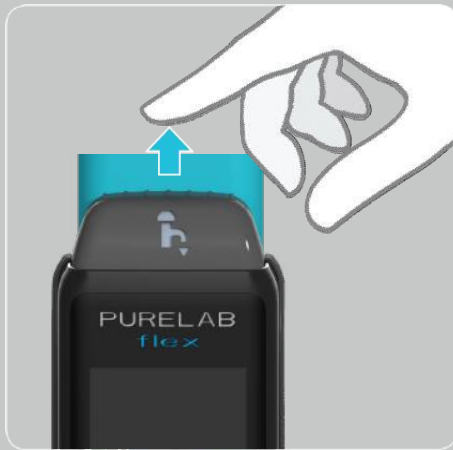


c) Remove Transit caps



d) Fit Purification Pack

5. HOW TO USE YOUR FLEX 1&2



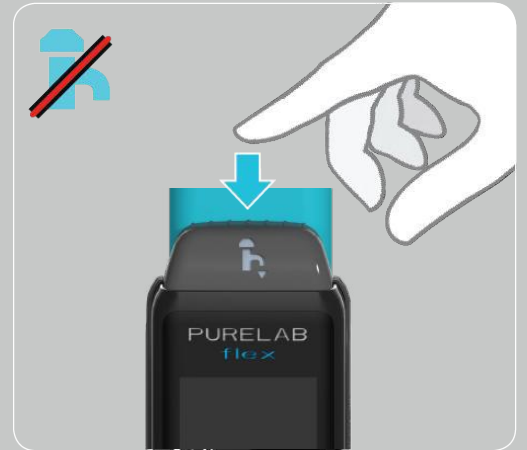
MANUAL DISPENSE:

PRESS and hold dispense button, release to stop dispensing.



CONTINUOUS DISPENSE:

PRESS and hold dispense button and accept button.



To stop continuous dispense, PRESS dispense button

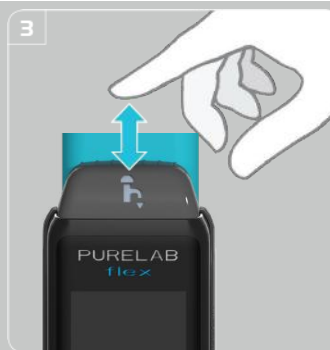


AUTO VOLUME:

PRESS the "Auto Volume" button



CHOOSE the desired volume using the Up and Down buttons



PRESS the dispense button to dispense the pre-set volume



PRESS the "Auto Volume" button to return to the main screen

5. HOW TO USE YOUR FLEX 1&2



ACCESS MENU:

ENSURE "Auto Volume" is OFF



PRESS and hold accept button for 2 seconds



DATA CAPTURE:

ENSURE "Auto Volume" is OFF



FOLLOW on screen instructions. Make sure USB is formatted to FAT32

Profile Dispense

Step 1 - Profile Dispense Initialisation

- ACCESS "Main Menu" by pressing and holding the "accept" button for approximately 2 seconds
- SCROLL using the "down" button and highlight "Set Volumetric Dispense mode", press "Accept"
- Highlight "Profile Dispense", press "Accept"
- EXIT menu

Step 2 - Profile Dispense Calibration (Unit must be commissioned before Profile Dispense calibrations)

- PRESS "Auto Volume Dispense" button
- SELECT "Volume 1/2/3" (depending on available unused profiles)

WARNING OVER-WRITING A VOLUMETRIC PROFILE WILL DELETE ITS ORIGINAL PROFILE. THIS CANNOT BE RECOVERED

- PLACE a suitable container such as a 500 ML measuring container underneath the Flex
- DISPENSE the required amount of water from the Flex handset using the "Dispense" (PF1) button.

Note: The precise action/operation will be recorded to the Flex/Chorus memory.

- ONCE finished, press the "Accept" button to terminate the recording for "Volume 1/2/3"

Note: The system will now go back to the "Profile Dispense" Sub Menu. Repeat previous steps to record other volume profiles if required. If you wish to change the recorded Volumes 1 to 3 press the "Auto Volume" button on the handset, select the Volume you wish to change, press and hold down the "Accept" button for about 5 seconds. Then repeat step 2.

Step 3 - Usage of Profile Dispense

- SELECT desired Volume from "Profile Dispense Menu" and press the "accept" button to go to the Dispense Screen
- PRESS the "Dispense" button. The recorded volume will dispense

Step 4 - Exit "Profile Dispense"

- PRESS the "Auto-Volume" to return to normal operation

Step 5 - Return to Volumetric Dispense Mode

- ACCESS "Main Menu" by pressing and holding the "accept" button for approximately 2 seconds
- SCROLL using the "down" button and highlight "Set Volumetric Dispense mode", press "Accept"
- Highlight "Volumetric Dispense", press "Accept"
- EXIT menu

CONSUMABLES			
Part No.	Description	Typical Service Life*	Max. Shelf Life
LC208	Purification Pack	12 months*	2 years
LC209	Sanitization Pack	Not Applicable	2 years
LC210	185/254nm UV Lamp	12-18 months	2 years
LC145	0.2µm Microfilter - Point-of-Use	90 Days	2 years
LC197	Biofilter - Point-of-Use	90 Days	2 years
ACCESSORIES			
Part No.	Description		
LA731	Pre-conditioning Kit (DI pack not included)		
LA732	Foot Switch		
LA735	Wall Mounting Kit		
LA652	Pressure Regulator		
LA728	Bypass Kit		
LA736	BMS Kit		
LA822	Hubgrade (Compatible with PCBS41006)		

6. CONSUMABLES

*Service Life is an estimate only, and will depend on the application and feed water quality. Please take care to ensure you order the correct consumable items.

7. HOW TO REGISTER YOUR PURELAB FLEX

Taking the time now to register your Flex will mean that we can provide a better service to you in the future. We can contact you about product information and service updates.

Why Register your product?

- Validated your product warranty
- Proof of product registration
- Receive software and service updates

How can I quickly register?

The model number and serial number can be found on the ratings plate located on the back of the unit, see below image;

Enter the model and serial number into the online form at:

<https://www.elgalabwater.com/support/register-a-product>

The image shows a ratings plate for an ELGA PURELAB FLEX unit. The plate is rectangular with a black border. At the top left, the word "ELGA" is printed in large, bold, black letters. To the right of "ELGA", the text "UK CA CE" is printed in a smaller font, with a CE mark symbol to its right. Below "ELGA", there is a red oval around the word "Model" and a red line pointing to the label "Model Number" on the left. Below "Model" is a white rectangular input field. Below the input field, the text "Date of Manufacture" is printed. Below "Date of Manufacture", there is a red oval around the text "Serial No." and a red line pointing to the label "Serial Number" on the left. Below "Serial No." is another white rectangular input field. Below the input fields, the text "Maximum Pressure Inlet Working Electrical Supply" is printed. Below this text, there is a warning symbol (a triangle with an exclamation mark) and the text "REFER TO OPERATING INSTRUCTIONS SE REFERER AU MANUAL D'OPERATION IN DER BETRIEBANLEITUNG NACHSEHEN". At the bottom of the plate, there is a section with the text "ELGA® is the global laboratory water brand of Veolia Water Solutions & Technologies. Tel: +44 203 567 7300, Web: www.elgalabwater.com" and "MADE IN UK" below it.

8. MAINTENANCE

An approved supplier or distributor should carry out any maintenance work not included in this manual.

Note: Disposal of all end-of-life consumable items should be in accordance with local statutory regulations.

8.1 Replacing Ultraviolet lamp (LC210)

The Ultraviolet (UV) lamp should be replaced when;

- UV lamp failure occurs.
- UV lamp efficiency decreases affecting water purity.

If either occurs you'll be prompted to change the UV Lamp.



WARNING! UV-C RADIATION IS HARMFUL TO THE EYES AND SKIN. UV LAMP SHOULD ONLY BE OPERATED IN THE CHAMBER.



IT IS STRONGLY RECOMMENDED THAT DURING THE HANDLING OF THE UV LAMP CUT-RESISTANT GLOVES ARE WORN.



WARNING! MERCURY HAZARD, DO NOT BREAK. THE UV LAMP CONTAINS A SMALL AMOUNT OF MERCURY. MAY CAUSE REDNESS OR IRRITATION AS A RESULT OF CONTACT WITH SKIN AND/OR EYES.

Step 1 – Switch Unit Off

- ISOLATE the electrical supply where the **PURELAB Flex** power cable is connected. to the mains electrical supply.
- TURN OFF the water supply.
- OPEN the left hand access door.

Step 2 – Remove UV Lamp from PURELAB Flex.

- DISCONNECT the lamp connector fitted to the top of the UV lamp.
- LOOSEN the 2 securing screws at the top of the UV housing.
- LIFT and REMOVE the UV lamp from the UV housing.
- RECYCLE the used UV lamp in accordance with local regulations. Product contains Mercury

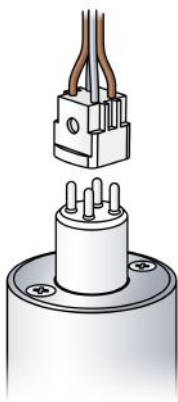


Fig 1

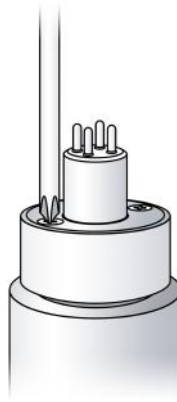


Fig 2

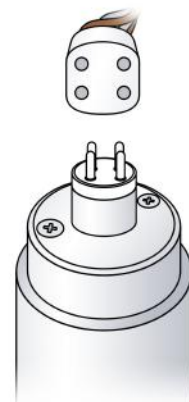


Fig 3

Removing the UV Lamp

Replacing the UV Lamp

Step 3 - Replace the UV Lamp

- UNPACK new UV lamp, wipe the glass of the UV with an alcohol wipe.



CAUTION! Take care not to touch the surface of the glass. Ideally wear gloves, handle with soft cloth and wipe the surface with alcohol before fitting into the housing

- SLIDE the new UV lamp into the UV housing.
- CONNECT the lamp connector to the end of the UV making sure the connector is correctly aligned with the pins. (refer to Fig 3 on the previous page)
- TIGHTEN the 2 securing screws at the top of the UV housing.
- CLOSE the left hand access door.

Step 4 – Turn Unit On

- TURN ON the water supply.
- SWITCH ON the mains electrical supply.

8.2 Cleaning the Inlet Filter Assembly

The **PURELAB Flex** is fitted with an inlet filter to protect it from particles in the feed water supply which could affect performance. It's recommended that you periodically clean the inlet filter to ensure that it doesn't become blocked.

Step 1 – Isolate the Electrical Supply

- TURN OFF the water supply.
- DISPENSE any additional water via the dispense gun.
- ISOLATE the electrical supply where the **PURELAB Flex** power cable is connected to the mains electrical supply.
- LOCATE the inlet filter assembly at the rear of the **PURELAB Flex**.

Step 2 – Dismantle the Inlet Filter (Fig 1 below)

- UNSCREW the inlet filter.
- REMOVE the mesh filter
- CHECK mesh filter for signs of damage.
- REPLACE or CLEAN as necessary.

Step 3 – Reassemble the Inlet Filter

- INSERT the mesh filter into its original position ensuring that it is facing the correct direction (see diagram).
- RE-ASSEMBLE the Inlet Filter Assembly.

Step 4 – Turn Unit On

- TURN ON the water supply
- SWITCH ON the electrical supply.

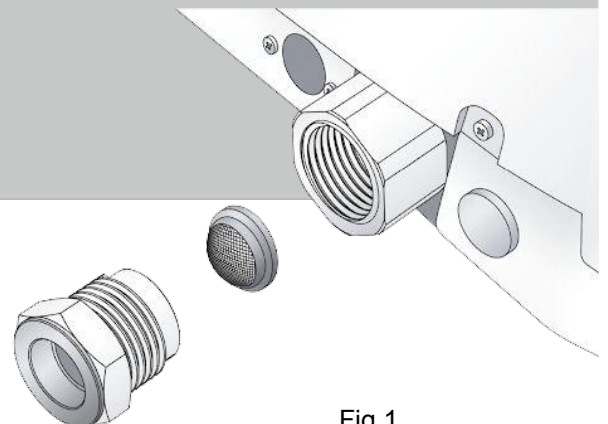


Fig 1

8.3 Replacing Point-of-Use Filters

Details of how to install point-of-use filters are supplied with each filter.

8.4 Replacing the DI Pack

Refer to Page 8, Step 3 for further details

Step 1

- TURN off water supply
- TURN on the Unit
- PRESS and hold the Accept (pf4) button to access the main menu

Step 2

- SELECT "Change purification pack" option
- OPEN right hand door of unit
- FOLLOW on screen instructions

Step 3

- PRESS Dispense button
- REMOVE purification pack
- FOLLOW on screen instructions

Step 4

- INSTALL new purification pack
- TURN on water supply
- LEAVE unit to finish commissioning mode

8.5 Sanitization

To sanitize the unit;

- PRESS and hold accept button to access main menu
- SCROLL and select sanitization option
- PRESS accept
- FOLLOW on screen instructions

9. SELF HELP GUIDELINES

This section covers some of the issues that could occur with your PURELAB FLEX, and provides the troubleshooting steps to help you to resolve an issue yourself. When troubleshooting doesn't resolve your issue, please call your local ELGA LabWater representative (See "Useful Contact Details" Section 11, page 18)



WARNING! ALWAYS ENSURE THAT THE ELECTRICAL POWER SUPPLY IS ISOLATED BEFORE WORKING INSIDE THE PURELAB FLEX!

PROBLEM	RECOMMENDED ACTION
This display is not working	<ul style="list-style-type: none"> Confirm the dispense button is illuminated Press any button to wake the unit from sleep mode. Check mains supply and lead. Check that the mains power is switched on. Check the fuse in the power supply and replace if blown.
Unable to enter the configuration menu	Press Auto Volume Dispense button to exit Auto Volume dispensing.
Purification Pack change reminder	<ul style="list-style-type: none"> Reset Purification Pack change reminder. Replace Purification Pack – See Page 8, Step 3 for details.
Sanitization reminder	<ul style="list-style-type: none"> Reset Sanitization reminder. Accept Sanitization and follow the instructions on the Display Handset.
High Temperature Water Alarm	<ul style="list-style-type: none"> Check correct alarm point is set. Check feed water temperature has not risen suddenly. Dispense some water to allow cold water to be drawn into the system.
Reduced Dispense Water Flow Rate	<ul style="list-style-type: none"> Check inlet water strainer is not blocked. Replace POU filter if fitted. Call Customer Services.
Feed Water Purity Alarm	<ul style="list-style-type: none"> Check the correct alarm point is set. Check feed water purity is within acceptable limits.
Dispense Water Purity Alarm	<ul style="list-style-type: none"> Check correct alarm point is set. Change Purification Pack.

10. TECHNICAL SPECIFICATIONS

10.1 FEEDWATER			
Model	PURELAB Flex 1	PURELAB Flex 1 (with Purification Pack)	PURELAB Flex 2 (with UV, Purification Pack and TOC)
Source	Originally from potable supply, then pre treated. Preferably reverse osmosis (RO) or filtered service deionization (SDI) or distilled. Note:- Mixed bed or twin bed deionized supplies should be cation limited at exhaustion.		
Conductivity	< 1µS/cm		
10.2 CONTAMINANT			
Free Chlorine	<0.05 ppm		
Carbon Dioxide	<0.1 ppm		
Silica	<2 ppm		
Fouling Index	1		
Particulates	A 0.2 micron membrane pre filter is recommended for all non-RO feeds to extend point-of-use filter life.		
Iron/Manganese	< 0.1 ppm Fe/Mn		
Organics (TOC)	N/A	N/A	<20 ppb
TEMPERATURE	4 - 40°C (Recommended 15 - 25°C)		
Flow Rate (maximum requirement at 15°C)	>2 l/min		
Drain Requirements (gravity fall with air gap)	None required		

If feed water is in the range of 1µS/cm- 30µS/cm you will need a pre-conditioning cartridge.

10.3 FEEDWATER PRESSURE	
Minimum Inlet Pressure	Flooded suction
Maximum Inlet pressure	22psi (1.5bar)

10.4 DIMENSIONS and WEIGHTS			
Dimensions	Width 236mm, Depth 470mm, Height minimum 900mm, Height maximum 1020mm.		
Model	PURELAB Flex 1	PURELAB Flex 1 (with Purification Pack)	PURELAB Flex 2 (with UV, Purification Pack and TOC)
Operational weight	10kg (22lb)	10.5 kg (23.1lb)	11kg (24.2lb)
Installation	Bench / Wall		

10.5 CONNECTIONS

Inlet	8mm (5/16) OD tube
-------	--------------------

10.6 ELECTRICAL REQUIREMENTS

Mains input	100-240V ac, 50-60 Hz
System control voltage (not including pumps and UV)	24 V dc
Power consumption (peak demand)	120 VA

10.7 PRODUCT WATER SPECIFICATION

Model	PURELAB Flex 1	PURELAB Flex 1 (with Purification Pack)	PURELAB Flex 2 (with UV, Purification Pack and TOC)
Delivery flow rate - maximum	Up to 2l/min	Up to 2l/min	Up to 2l/min
Inorganics (Resistivity @25°C)	As per feedwater	18.2MΩ-cm	18.2MΩ-cm
Organics (TOC) – typically	Dependant on feedwater	Dependant on feedwater	<5ppb*
Bacteria – Typical (when fitted with POU filter)	<0.1 CFU/ml	<0.1 CFU/ml	<0.001 CFU/ml
Bacteria – Typical (when fitted with Biofilter)	<0.1 CFU/ml	<0.1 CFU/ml	<0.001 CFU/ml
Endotoxin (when fitted with Biofilter)	N/A	<0.001 EU/ml	<0.001 EU/ml
DNase	N/A	N/A	<5pg/ml
RNase	N/A	N/A	<1pg/ml

*Dependent on feed water

As part of our policy of continual improvement we reserve the right to alter the specifications given in this document.

11. USEFUL CONTACT INFORMATION

ELGA LabWater
Lane End Business Park,
Lane End, High Wycombe
HP14 3BY
UK

Tel: +44 (0) 203 567 7300

Fax: +44 (0) 203 567 7305

E-mail: info@elgalabwater.com

For any technical queries please contact techsupport@elgalabwater.com

For the address of the nearest ELGA LabWater Sales and Service office visit the country list on our website.

<http://www.elgalabwater.com>

Or contact ELGA LabWater at the number above.

12.1 General Limited Warranty

VWS (UK) Ltd warrants the products manufactured by it against defects in materials and workmanship when used in accordance with applicable instructions for a period of one year from the date of shipment for the products. **VWS (UK) LTD MAKES NO OTHER WARRANTY, EXPRESSED OR IMPLIED. THERE**

IS NO WARRANTY OF MERCHANTABILITY OR FITNESS FOR A PARTICULAR PURPOSE. The warranty provided herein and the data, specifications and descriptions of the VWS (UK) Ltd products appearing in VWS (UK) Ltd's published catalogues and product literature may not be altered except by express written agreement signed by an officer of VWS (UK) Ltd. Representations, oral or written, which are inconsistent with this warranty or such publications are not authorized and, if given, should not be relied upon.

In the event of a breach of the foregoing warranty, VWS (UK) Ltd sole obligation shall be to repair or replace, at its option, any product or part thereof that proves to be defective in materials or workmanship within the warranty period, provided the customer notifies VWS (UK) Ltd promptly of any such defect. The exclusive remedy provided herein shall not be deemed to have failed of its essential purpose so long as VWS (UK) Ltd is willing and able to repair or replace any nonconforming VWS (UK) Ltd product or part. VWS (UK) Ltd shall not be liable for consequential, incidental, special or any other indirect damages resulting from economic loss or property damage sustained by any customer from the use of its products.

12.2 Water System Limited Warranty

VWS (UK) Ltd warrants the water systems manufactured by it, **BUT EXCLUDING MEMBRANES AND PURIFICATION PACKS**, against defects in materials and workmanship when used in accordance with the applicable instructions and within the operating conditions specified for the systems for a period of one year from the earlier of:

- a) the date of installation, or
- b) the 120th day following the date of shipment.

VWS (UK) LTD MAKES NO OTHER WARRANTY, EXPRESSED OR IMPLIED. THERE IS NO WARRANTY OF MERCHANTABILITY OR FITNESS FOR A PARTICULAR PURPOSE. The warranty provided herein and the data, specifications and descriptions of the VWS (UK) Ltd systems appearing in VWS (UK) Ltd published catalogues and product literature may not be altered except by express written agreement signed by an officer of VWS (UK) Ltd. Representations, oral or written, which are inconsistent with this warranty or such publications are not authorised and, if given, should not be relied upon. In the event of a breach of the foregoing warranty, VWS (UK) Ltd sole obligation shall be to repair or replace, at its option, any product or part thereof that proves to be defective in materials or workmanship within the warranty period, provided the customer notifies VWS (UK) Ltd promptly of any such defect. The cost of labour for the first ninety (90) days of the above warranty period is included in the warranty; thereafter, labour cost shall be at the customer's expense. The exclusive remedy provided herein shall not be deemed to have failed of its essential purpose so long as VWS (UK) Ltd is willing and able to repair or replace any nonconforming VWS (UK) Ltd system or component part. VWS (UK) Ltd shall not be liable for consequential, incidental, special or any other indirect damages resulting from economic loss or property damage sustained by any customer from the use of its process systems.

Products or components manufactured by companies other than VWS (UK) Ltd or its affiliates ("Non-VWS (UK) Ltd products") are covered by the warranty, if any, extended by the Product manufacturer.

VWS (UK) Ltd hereby assigns to the purchaser any such warranty; however, VWS (UK) LTD EXPRESSLY DISCLAIMS ANY WARRANTY WHETHER EXPRESSED OR IMPLIED, THAT THE NON - VWS (UK) LTD PRODUCTS ARE MERCHANTABLE OR FIT FOR A PARTICULAR PURPOSE.

NOTICE

VWS (UK) Ltd is constantly striving to improve its products and services. Consequently, the information in this document is subject to change without notice and should not be construed as a commitment by VWS (UK) Ltd. Also, VWS (UK) Ltd assumes no responsibility for any errors that may appear in this document. This manual is believed to be complete and accurate at the time of publication. In no event shall VWS (UK) Ltd be liable for incidental or consequential damages in connection with or arising from the use of this manual.

VWS (UK) Ltd. warrants its products against defects in materials and workmanship as described in the Warranty statement on the preceding pages.

The Labwater Specialists

This product is produced by ELGA Veolia® for ELGA Veolia®, a global laboratory water brand name of Veolia Water.
The information contained in this document is the property of VWS (UK) LTD and is supplied without liability for errors or omissions.
No part of this document may be reproduced or used except as authorised by contract or other written permissions from VWS (UK) LTD

© VWS (UK) LTD 2023 MANU41741 VERSION 1

